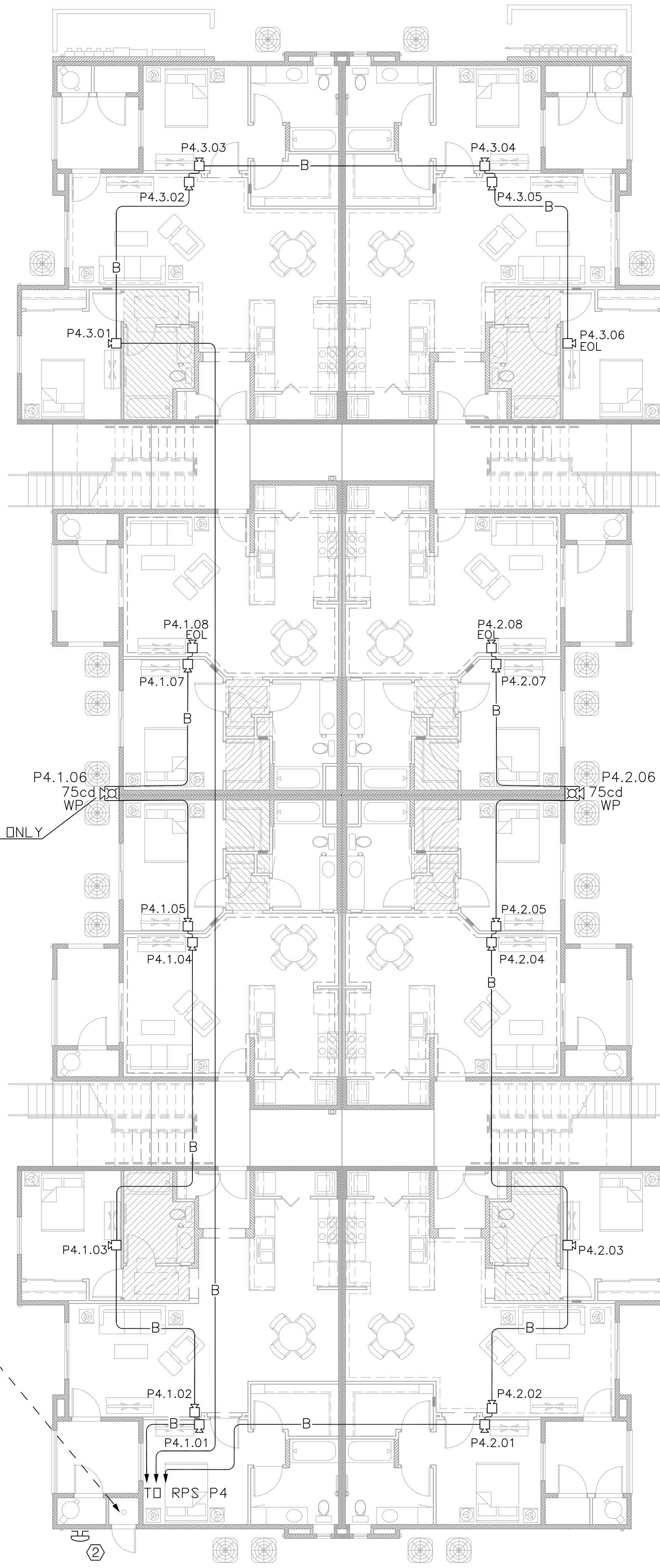
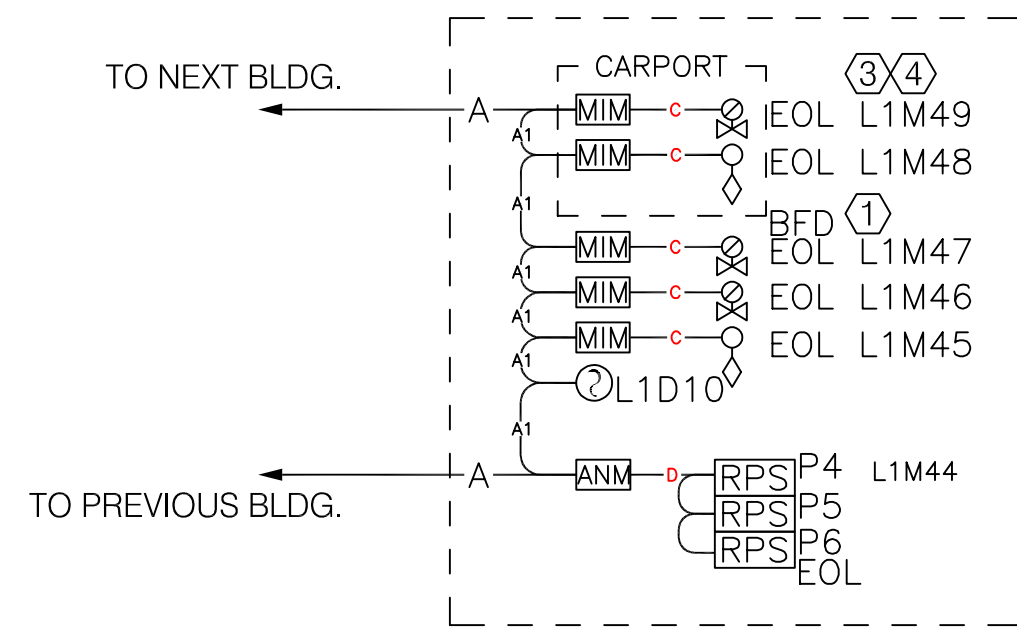


FIRE ALARM FLOOR PLAN -BLDG. B, D, H, & J. FLOOR 2
SCALE: 1/8" = 1'-0"



FIRE ALARM FLOOR PLAN -BLDG. B, D, H, & J. FLOOR 1
SCALE: 1/8" = 1'-0"



- NOTES:**
- 1 BFD SHOWN HERE IS FOR REFERENCE ONLY. VERIFY EXACT LOCATION IN FIELD.
 - 2 120 VAC SPRINKLER BELL BY OTHERS. SHOWN FOR REFERENCE ONLY.
 - 3 CARPORT WATER FLOW AND TAMPER SHOWN HERE FOR REFERENCE ONLY. VERIFY EXACT LOCATION IN FIELD.
 - 4 CARPORT WATER FLOW AND TAMPER BLDGS G, H, AND J.

CONTRACTOR:
customer logo

THE CUSTOMER INC.
ADDRESS
CITY, STATE ZIP
PHONE #

STAMP:

The ideas, drawings, designs and specifications incorporated herein serve as an instrument of service and in the property of the customer and are to be used in whole or in part for any project without the written authorization of the customer. These drawings are not to be used for any other purpose without the written consent of the customer. The customer agrees to indemnify and hold the designer harmless from and against all claims, damages, losses and expenses, including reasonable attorneys' fees, that may be incurred by the customer or the designer in connection with the performance of the services hereunder. The customer's decision to use these drawings and specifications is the customer's responsibility and the designer shall not be held liable for any errors or omissions in the drawings and specifications.

DESIGNER:
FIRE101
7625 SUNRISE BLVD, SUITE 211
CITRUS HEIGHTS, CA 95610
PHONE: 916-242-0259
WWW.FIRE101.NET

CERTIFIED
ENGINEERING

PROJECT:

PROJECT NAME
MANUAL FIRE ALARM SYSTEM

ADDRESS
CITY, STATE, ZIP

REVISIONS	
△	SUBMITTAL
△	
△	
△	

DRAWN BY:
AB

CHECKED BY:
RS

JOB#
17124

P.O. #
-

SCALE:
AS SHOWN

DATE:
11/07/17

DRAWING NO.
FA1.0