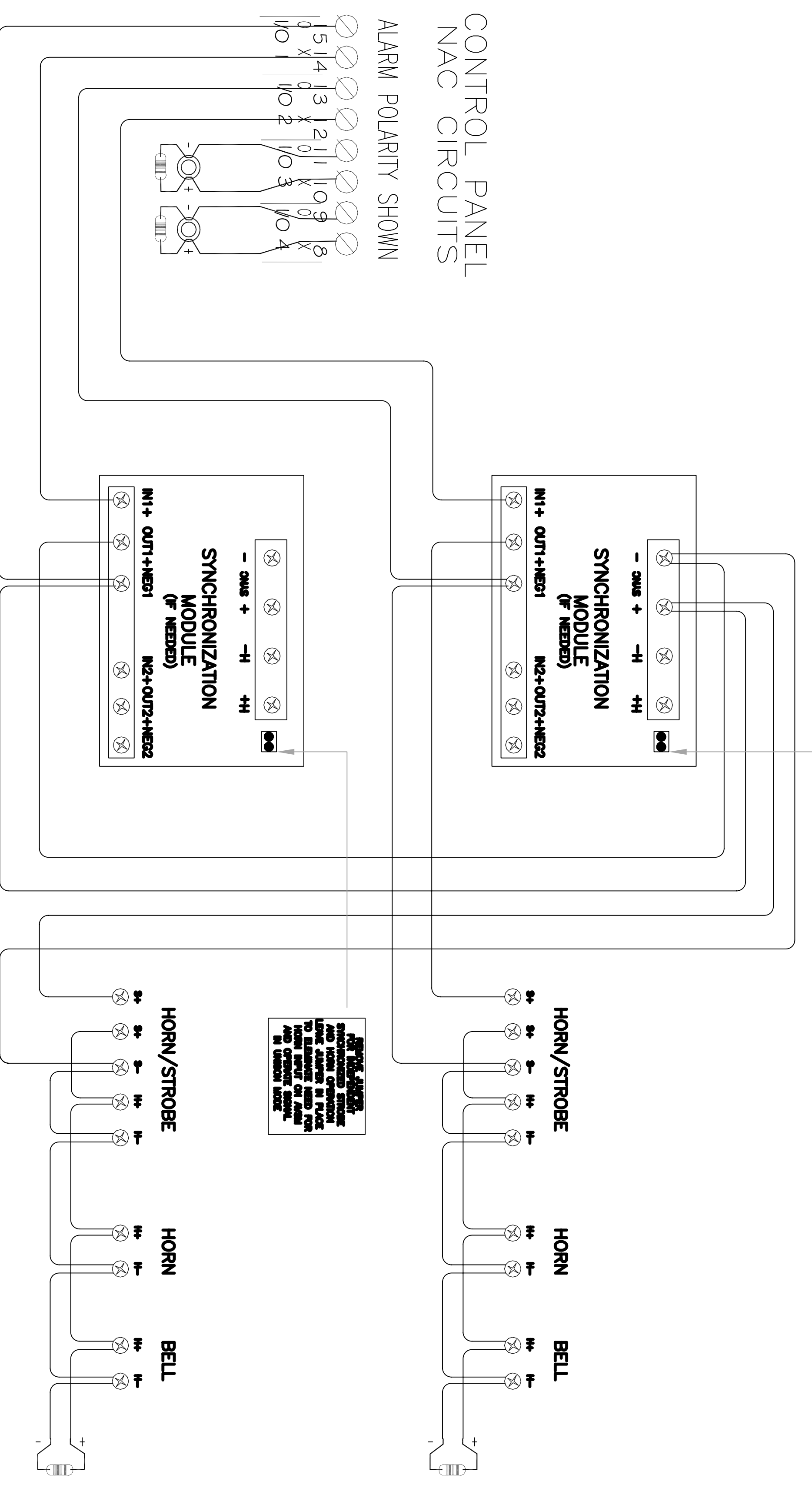
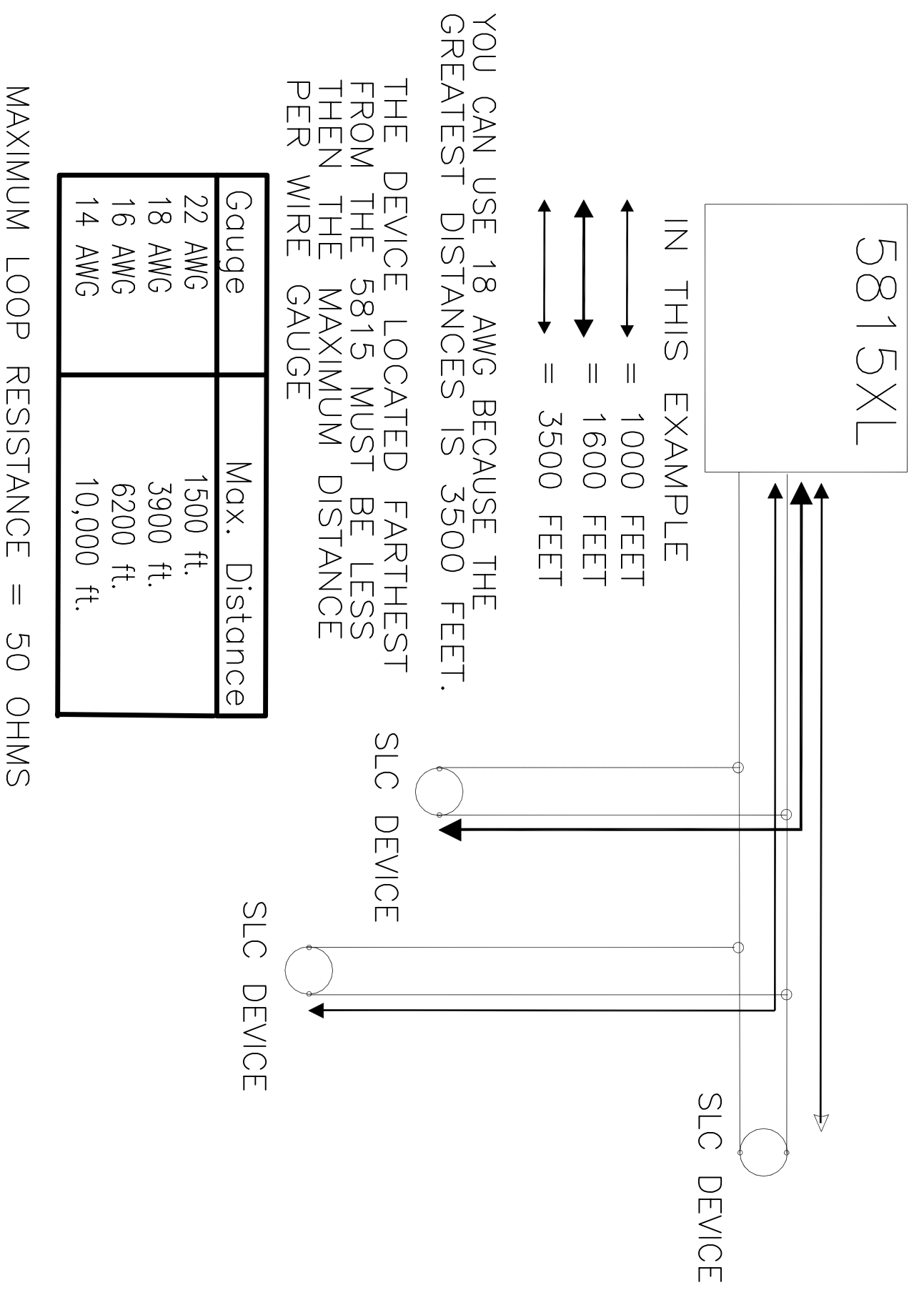
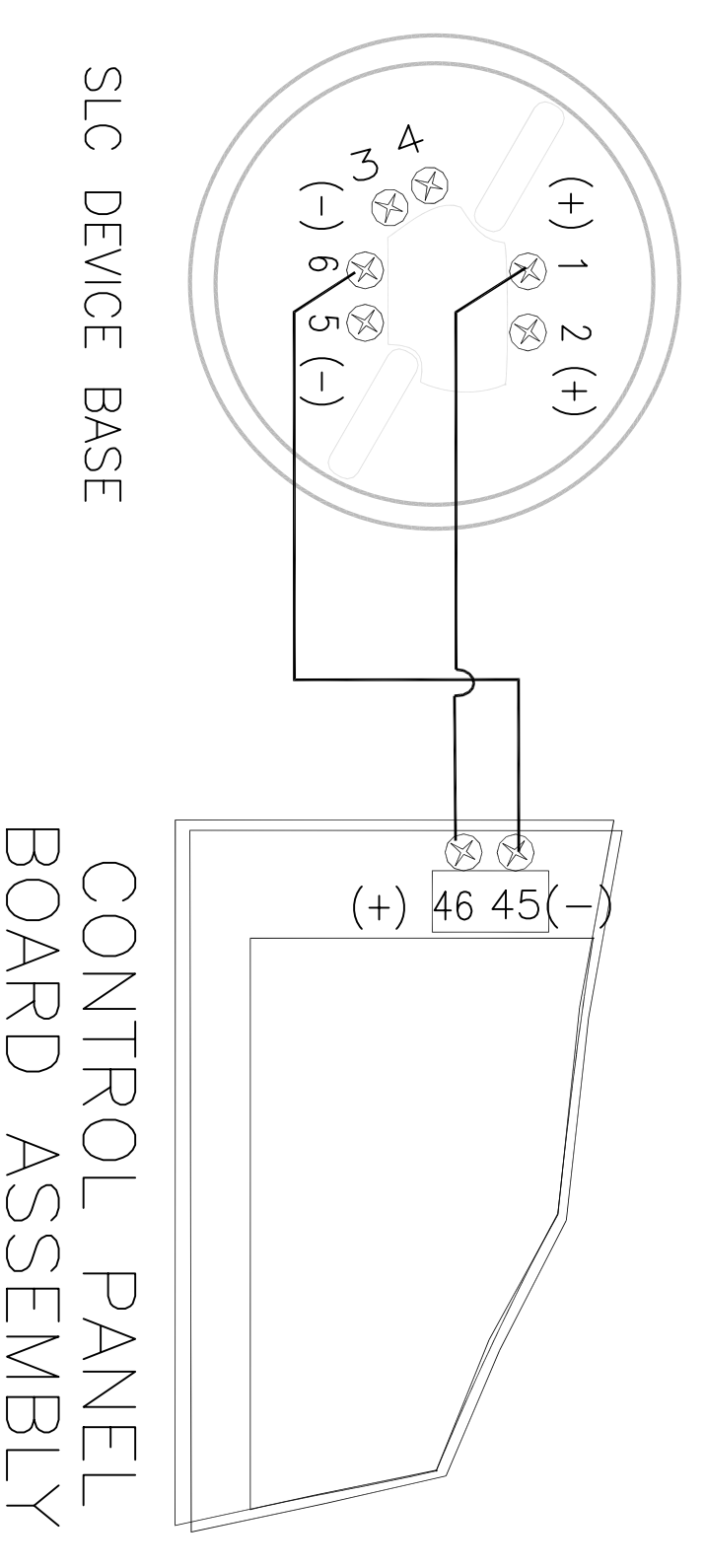


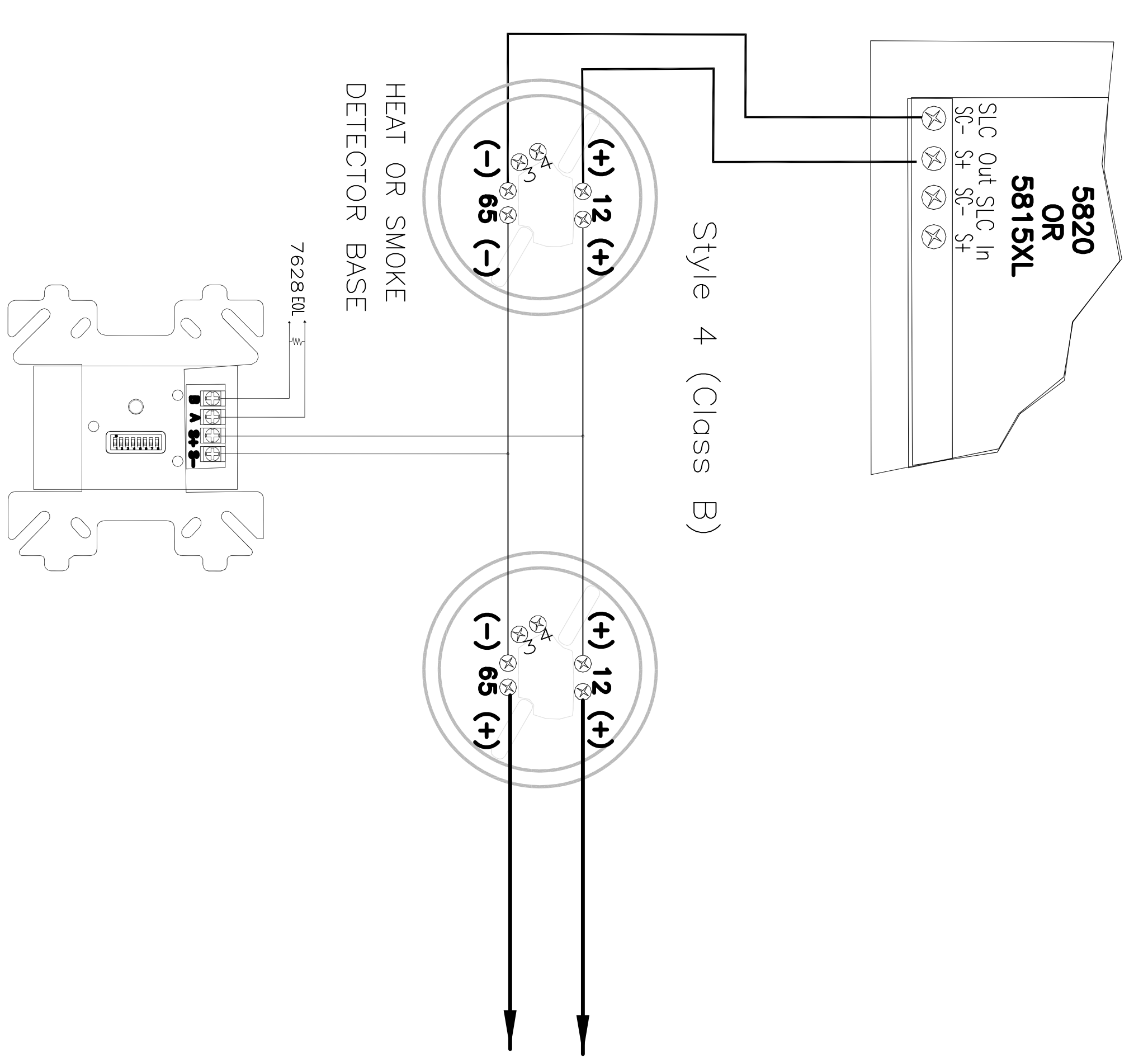
IF THE ALARM IS NOT WORKING, CHECK THE BATTERY AND THE CONNECTIONS TO THE BATTERY.



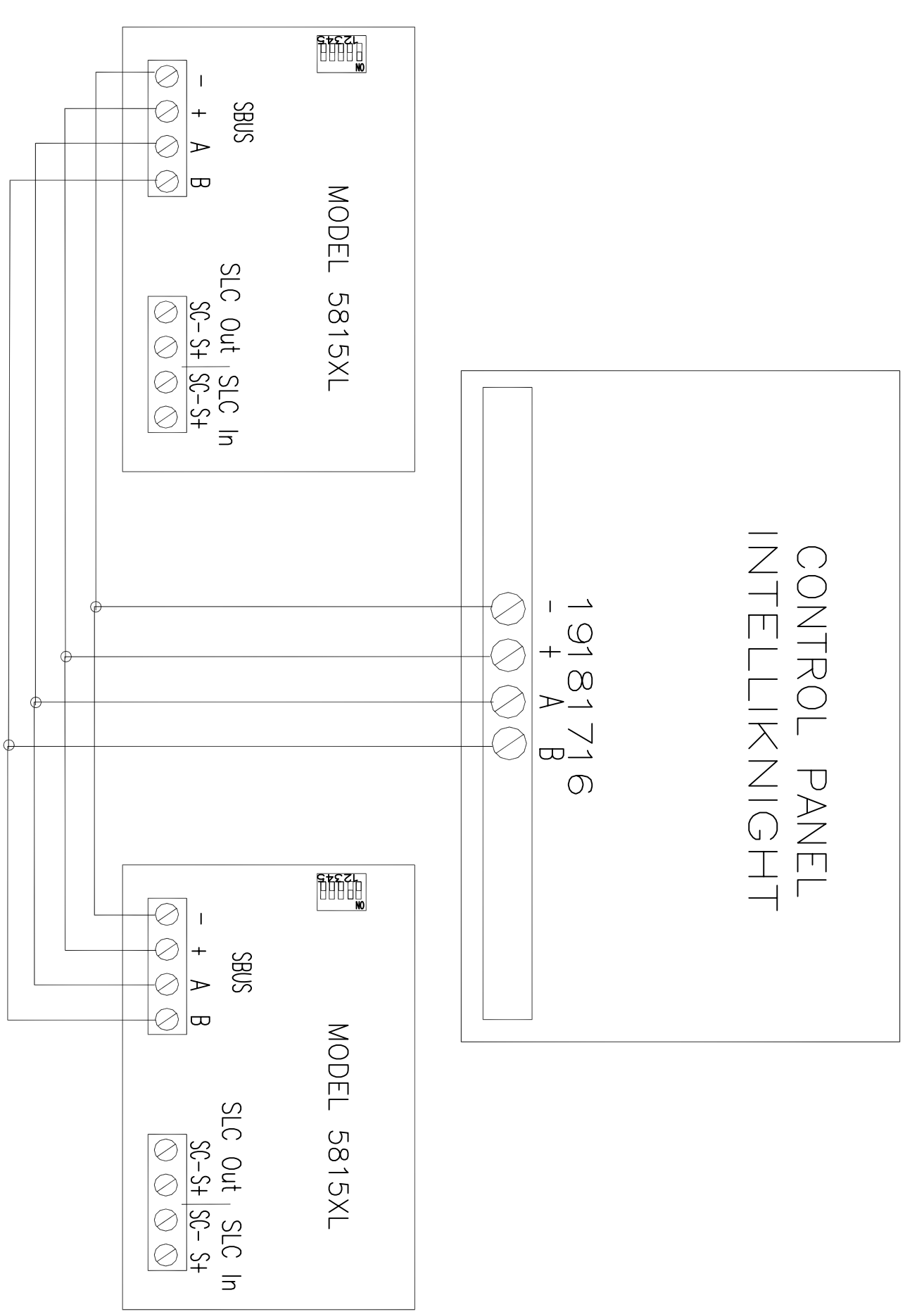
TYP. NOTIFICATION DEVICE CIRCUITS



TYPICAL "T" TAP WIRING



TYPICAL CLASS B WIRING FOR SLC DEVICES



TYPICAL WIRING FROM CONTROL TO 5815XLS



RESEE DRAWINGS PROVIDED BY FIRE-101 FOR:

CLIENT LOGO

CLIENT NAME

STREET ADDRESS

CITY, STATE & ZIP CODE

TEL #

FAX #

CONTRACTORS LIC. #

PROJECT NAME HERE

CONTINUATION OF NAME

STREET ADDRESS

CITY, STATE & ZIP CODE



NOT FOR CONSTRUCTION USE WITHOUT PRIOR AHJ APPROVAL

REVISIONS	BY

DRAWN	
CHECKED	
DATE	
SCALE	
JOB NO.	
SHEET	

FA-5